

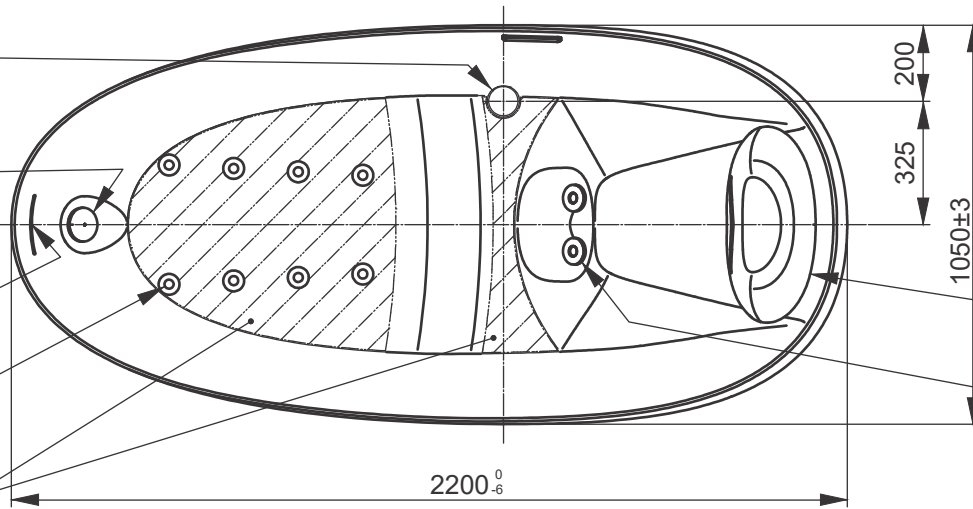
Drain plug
Push-operated
drain plug

Intake port

Slit type
overflow

AIR-JET(8)
Two mode

Corrugated
surface



Head rest
Motion space: 170 mm

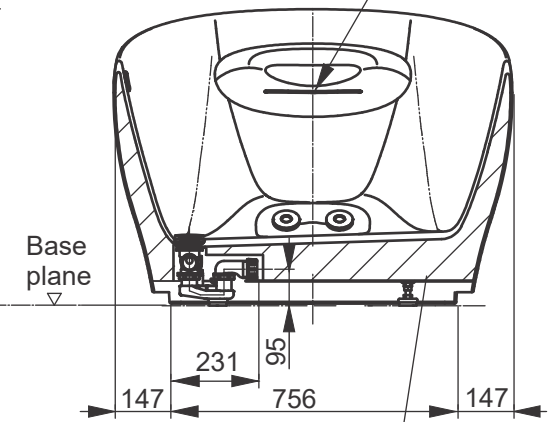
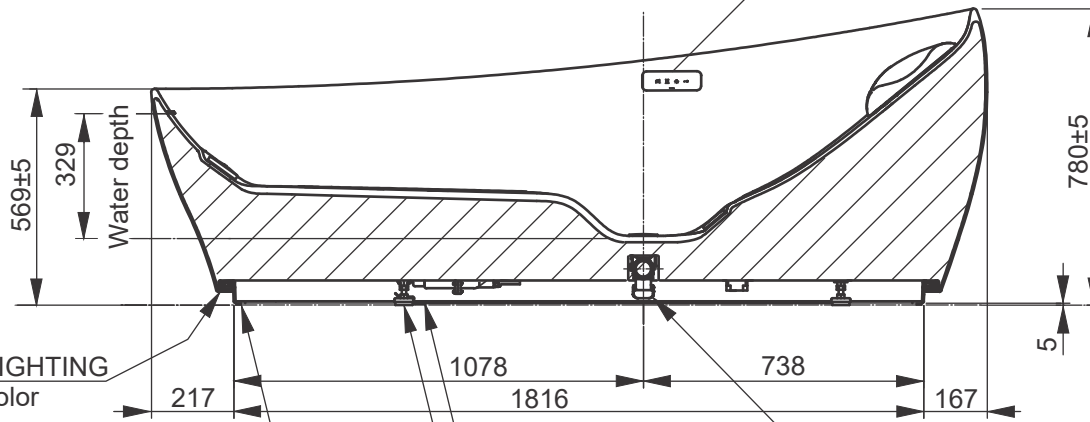
HYDRO HANDS(2)
One mode
(Circulation)

Product specification

Rated voltage	220 ~240 VAC
Rated frequency	50 Hz
Rated current	3.5 A
Rated power consumption	700 W
Standbay power consumption	2.8 W
Safety device	<ul style="list-style-type: none"> •Continuous operation preventing device •Overcurrent protection device •Overheating protection device (thermal protection)

CONTROLLER
Capacitive touch panel

NECK BATH
(Circulation)



LED LIGHTING
One color

Polyethylene foam sheet
Quantity: L1000x5
(Included parts)

Bathtub fixture
(Included parts)

Trap
Inside diameter 40mm
(Included parts)

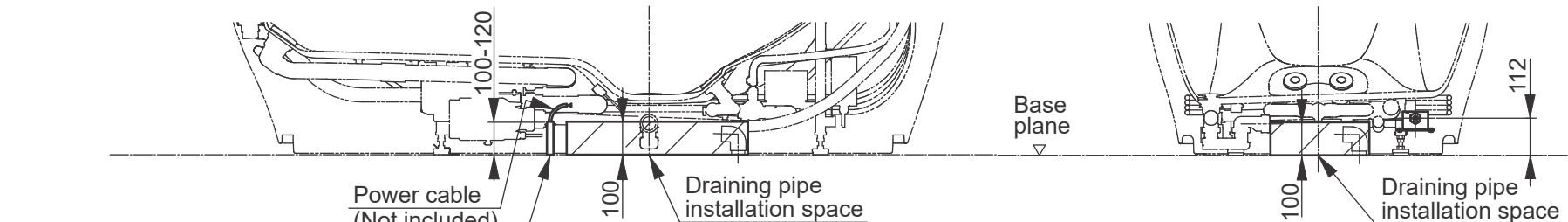
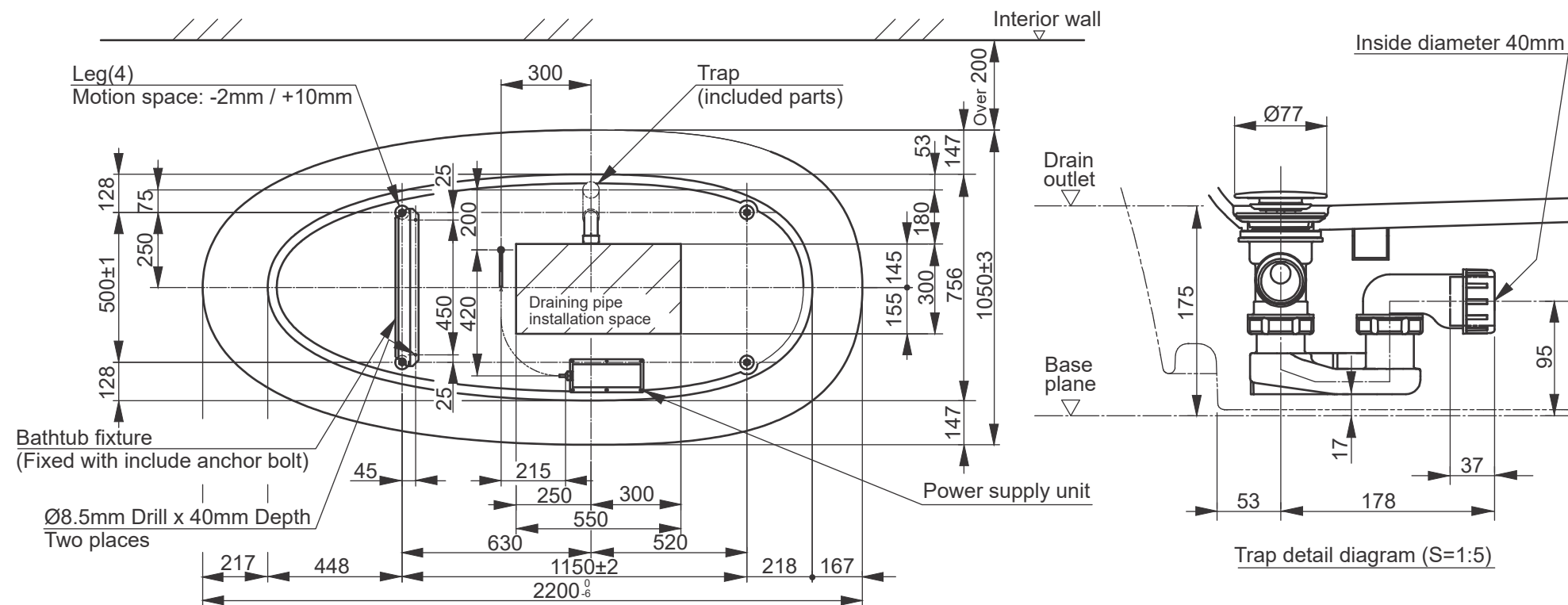
Leg(4)
Motion space: -2mm / +10mm

Power supply unit

Designation		BATHTUB	
		Flotation tub, freestanding	
		PJYD2200PWEE#GW	
Altered		Scale	1:20
		Signed	T.G.
		Date	09/07/2018

TOTO

This drawing including the respective data may neither be duplicated nor modified nor altered without the consent of TOTO Europe GmbH. The usage of the data/technical drawings takes place at user's own risk and under exclusion of any liability of TOTO Europe GmbH and/or of the companies of the TOTO-Group. The indicated dimensions are not binding; products are subject to change. Measurements shown may be subject to small variations or are indicative.



Pipe for cable
Inside diameter of more than 20mm
(Not included)

Designation		BATHTUB	
		Flotation tub, freestanding	
		PJYD2200PWEE#GW	
Altered		Scale	1:20
		Signed	T.G.
		Date	09/07/2018

TOTO

This drawing including the respective data may neither be duplicated nor modified nor altered without the consent of TOTO Europe GmbH. The usage of the data/technical drawings takes place at user's own risk and under exclusion of any liability of TOTO Europe GmbH and/or of the companies of the TOTO-Group. The indicated dimensions are not binding; products are subject to change. Measurements shown may be subject to small variations or are indicative.

- IMPORTANT**
- Connect the bathtub to drainage.
 - When you embed the power cable on the installation surface, use a pipe with a inside diameter of more than 20 mm.