

TBV01401B

TBW01008B

TBW01010B
(3Modes)

①TBV01401B

②TBW01008B

③TBW01010B



FEATURES

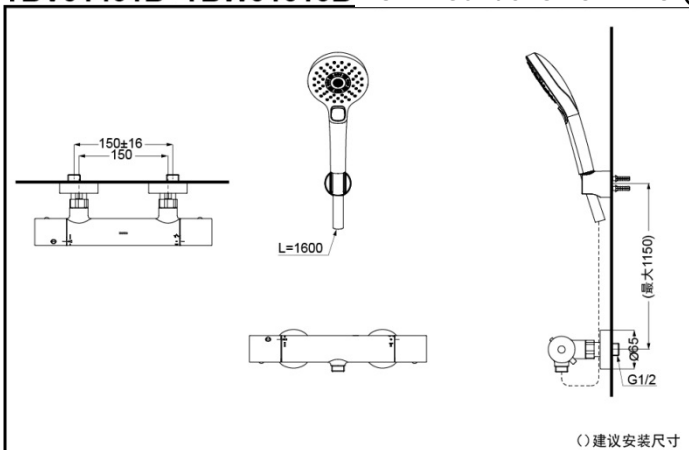
- SMA technology for valve.
- Elegant appearance.
- Beautiful curves reveal elegant taste.
- Easy installation and usage.

SPECIFICS

Water Inlet Requirement :
0.05MPa(Dynamic Pressure)~0.59MPa(Static Pressure)

Water Efficiency : Grade2

TBV01401B+TBW01010B Wall-Mount Shower Mixer(Thermostatic)



*TOTO(CHINA) CO.,LTD. All rights reserved.

Others

Series : G

Recommend fittings : G series
Hand Shower